

If excavating near a Northpower pole the requirements of NZECP 34:2001 shall be met.

Please contact Northpower on 0800 104040 to arrange a 'Restriction for Excavating near Poles' permit.
(EOP 2.4.2 working near lines)

Installer Verification

I confirm that insulating conduit (ducting) has been installed to comply with the AS/NZS 3000:2007 wiring rules.

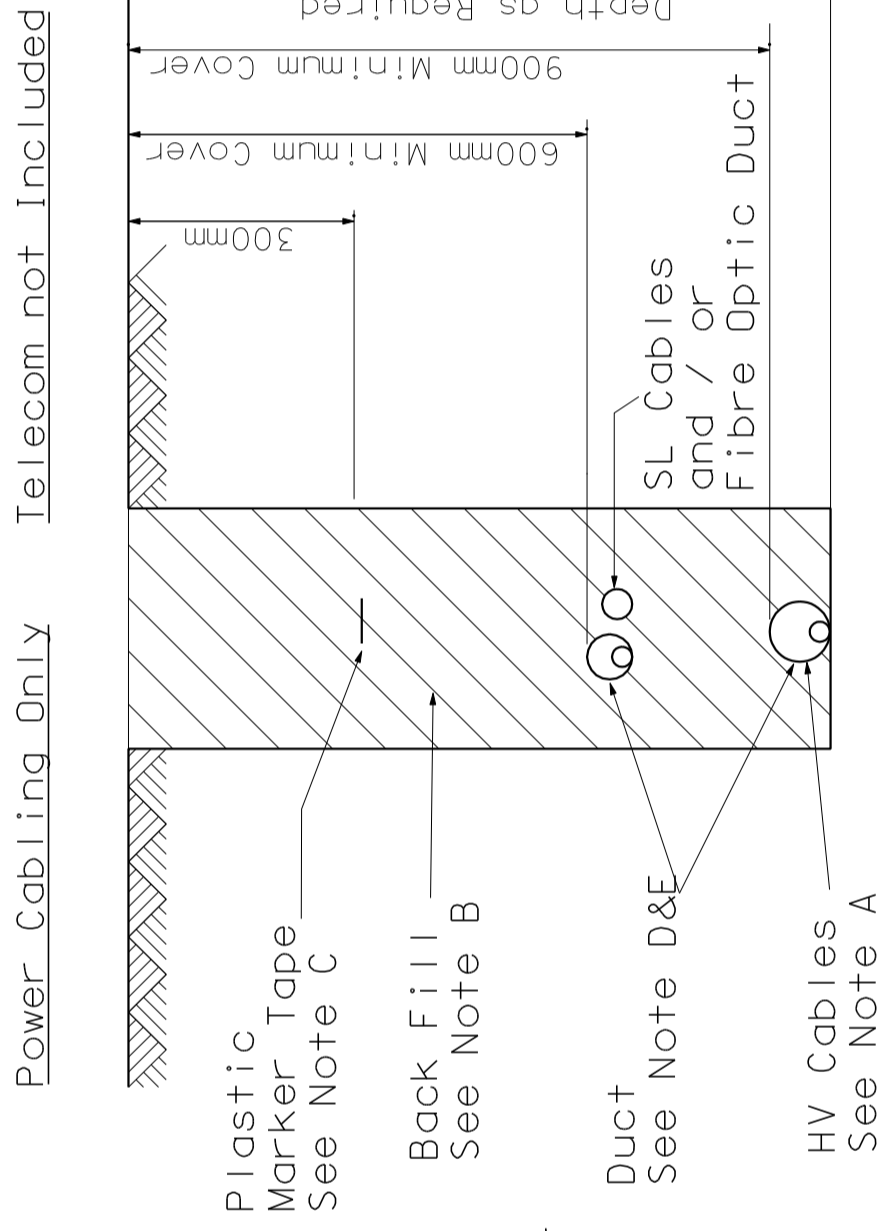
Company

Name

Signature

Date

Site Address



Ducted HV & LV Cables
(or Spare Duct)

NOTES:

- A. Ducted cables may be laid on the base of the trench. However, in rock areas or where the base of the trench is unsuitable for cable laying, 50mm of sand or stone free soil shall be laid in the base of the trench.
- B. Back Fill, generally use fill from trench but ensure no large stones or sharp objects are placed back in the trench.
- C. Marker tape to be used with 'laid' ducts, ie no marker tape if ducts are thrust. Marker tape to comply with AS/NZS 3000:2007 3.11.4.5 and be 100mm wide, coloured orange, with words 'Electrical Cable Below'.
- D. No right angle bends should be installed in duct lines, bending radius in duct should be no less than the minimum specified by the cable manufacture.
- E. Mechanical Protection is to comply with AS/NZS 3000:2007.

AS Built Sketch



Head Office
28 Mt Pleasant Road
Private Bag 9018
Telephone 0-9-430 1803
Facsimile 0-9-430 1804
<http://www.northpower.co.nz>

Rev	Amendments	By	Checked	Date
B	Add 'Site Address'	CP	W.B.	4/09/13
C	Add Text	CP	W.B.	7/07/14

Rev	Amendments	By	Checked	Date

Drawn	C. Porkes	Date	6/08/13
Checked	J. Bomber	Date	3/09/13
Approved	W. Blackman	Date	3/09/13
Issue	C	Date	7/07/14
Plan Number	2Y138s1		

Duct Installation Verification

Scale NTS Sheet size A3