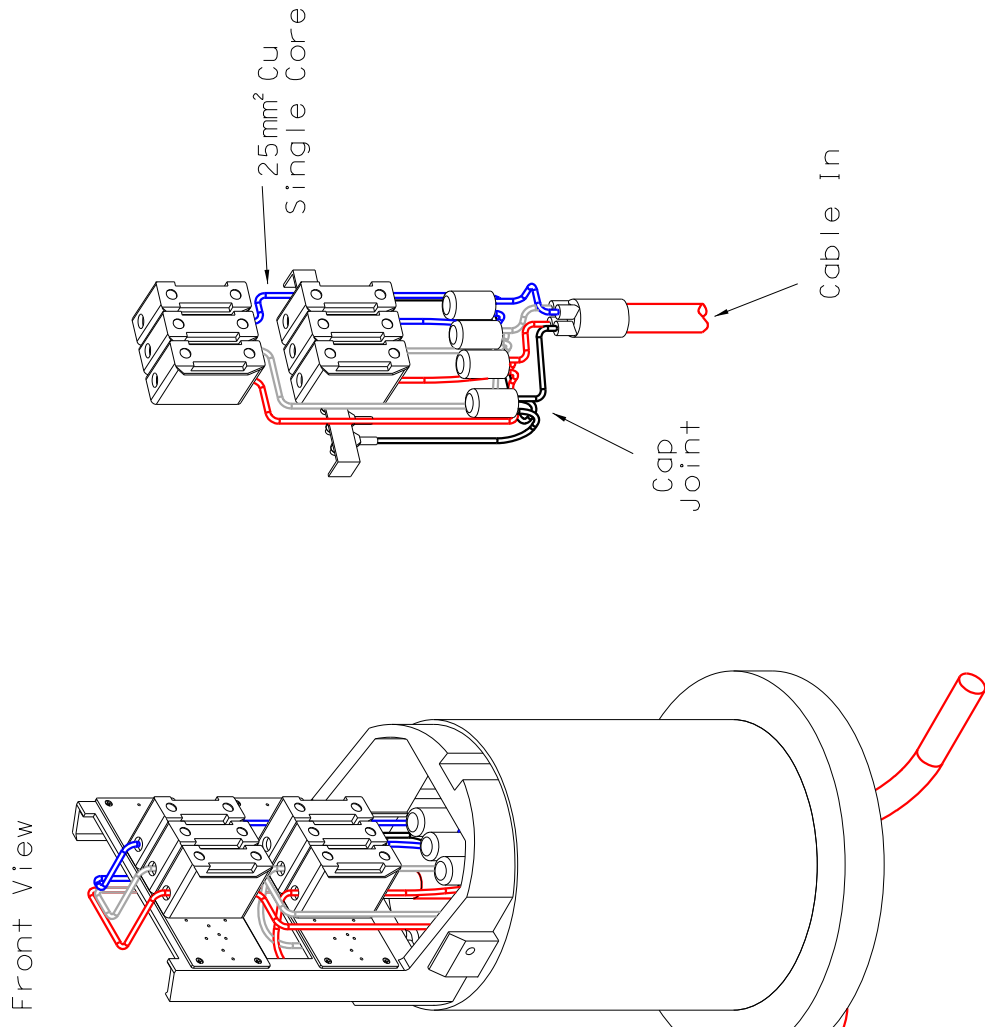
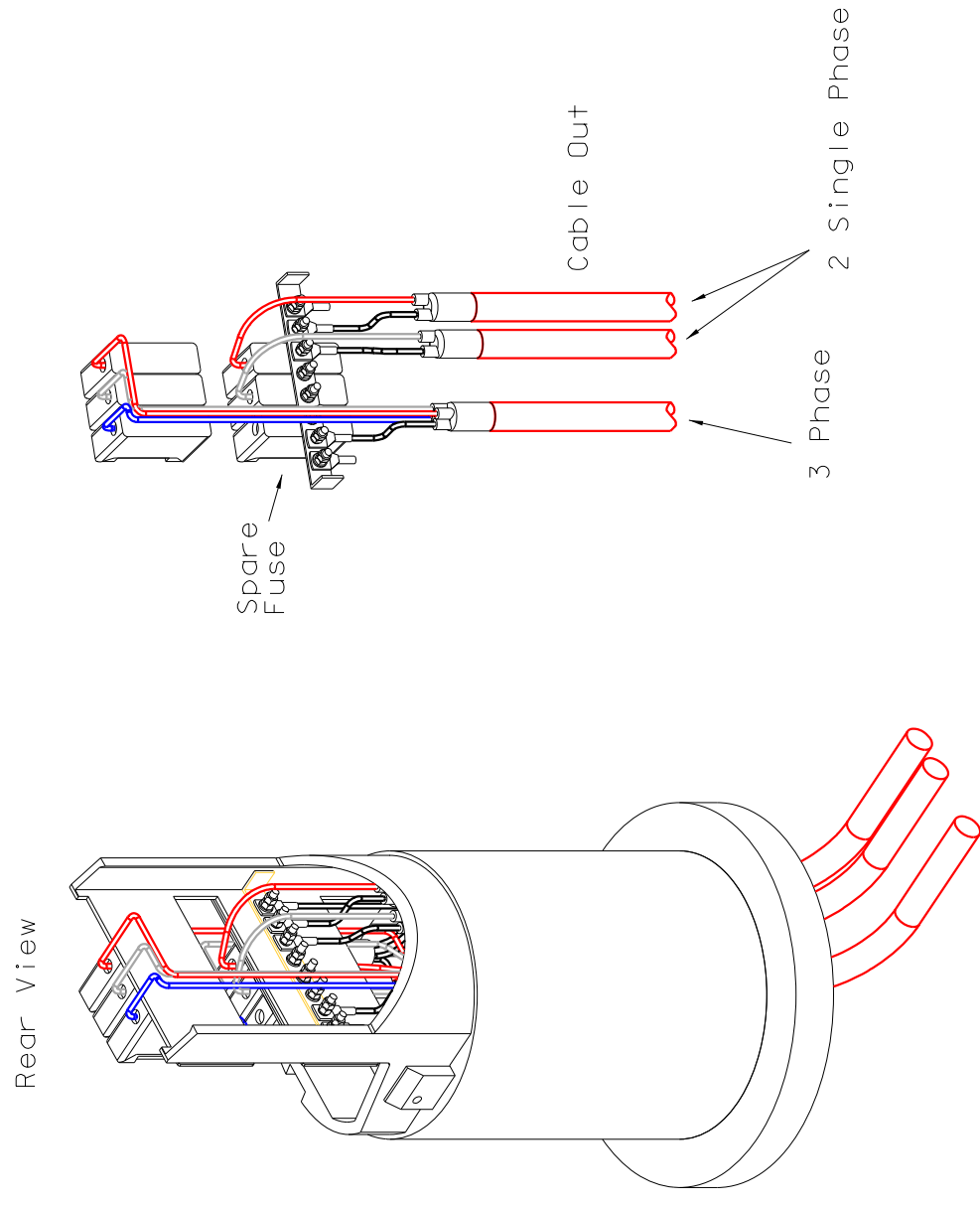


Network Cable In



Service Cable Out



REV	DESCRIPTION	DSN	DRN	CHKD	APPD	DATE	Pillar Connection Details			STATUS	Construction		
A-1	Initial Design	CP	CP	CJP	SB	15/03/19	Standard EP3 Eco Pillar			SCALE	NTS	SIZE	A3
B	Add Notes. Change Status to Construction	CP	CP	CJP	SB	15/03/19				PLAN NO.	2F358	SHEET	2
-		-	-	-	-	-				REV	B		
-		-	-	-	-	-							
-		-	-	-	-	-							
-		-	-	-	-	-							