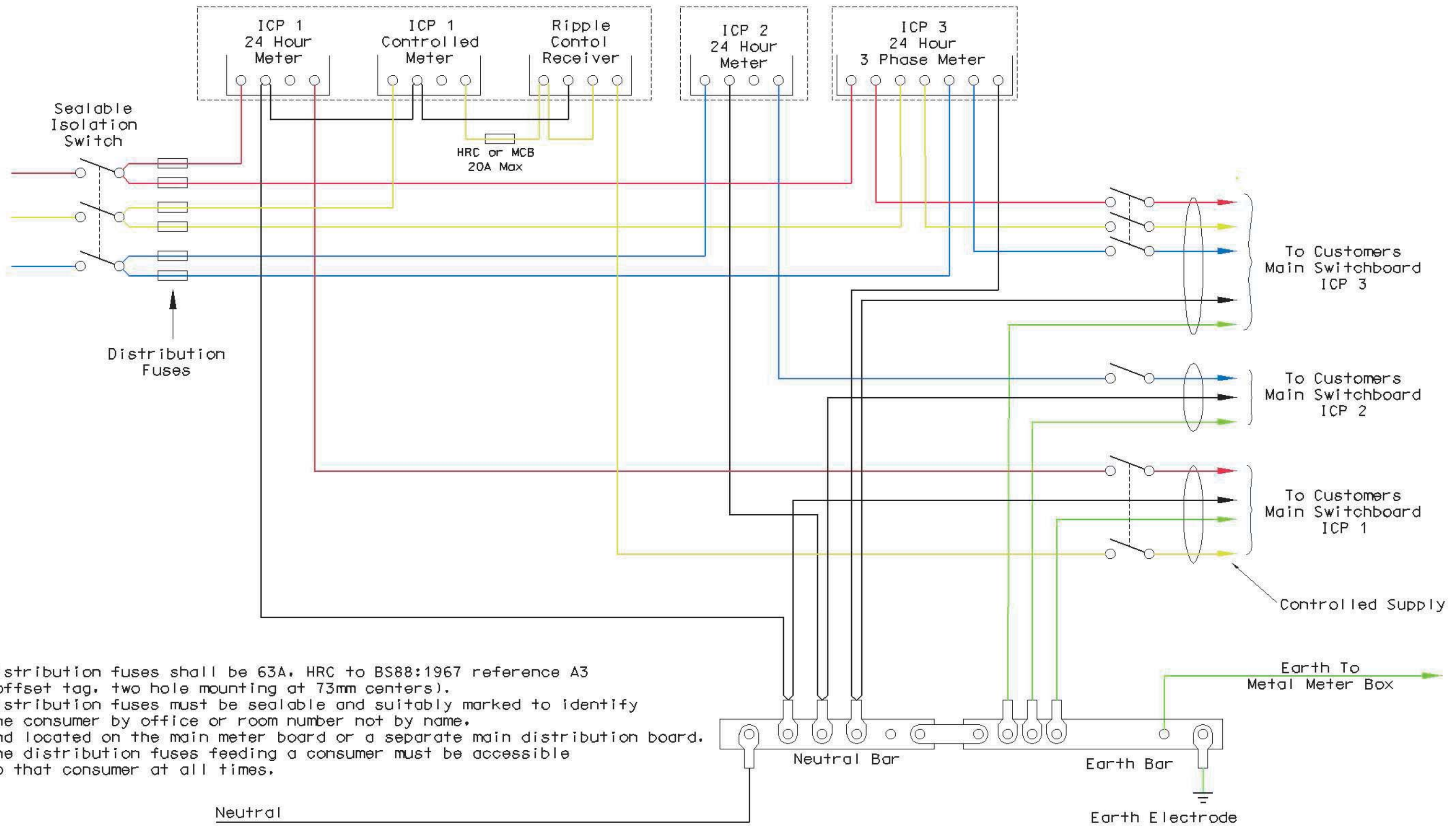


Standard Meter Station Plan 9



Rev	Amendments	By	Checked	Date

Title
Installation with up to 3 ICP's,
3 Phase & Single ICP's
with and without control phase.

Scale NTS Sheet size A4

Drawn	C. Parkes	Date	13/01/03
Checked	R. Watson	Date	05/07/05
Approved	S. Lowe	Date	05/07/05
Issue	A	Date	13/01/03
Plan Number	2G228s11		
	Reference A3/10640		